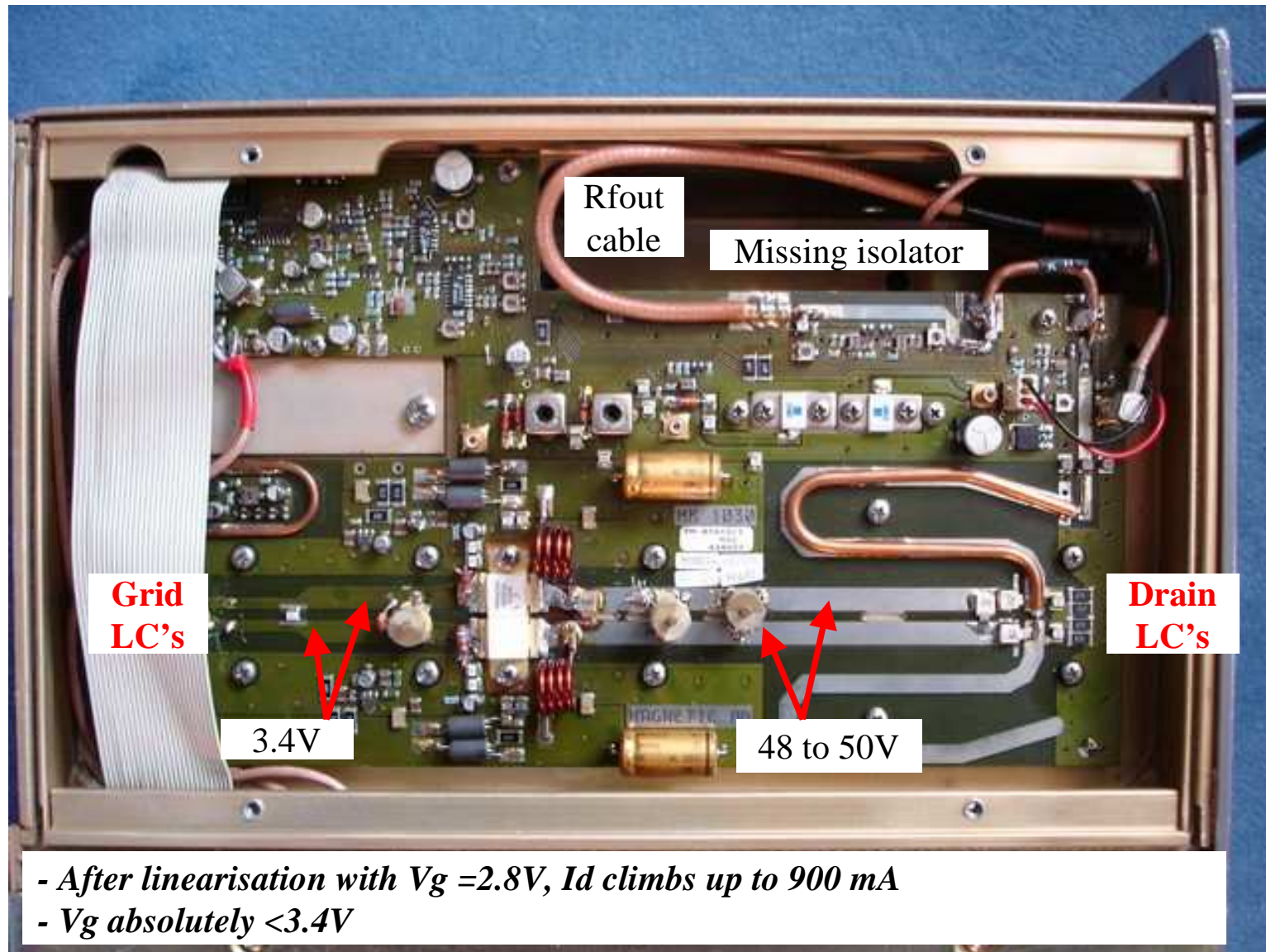


Ericsson Compact 9000 VHF amplifier

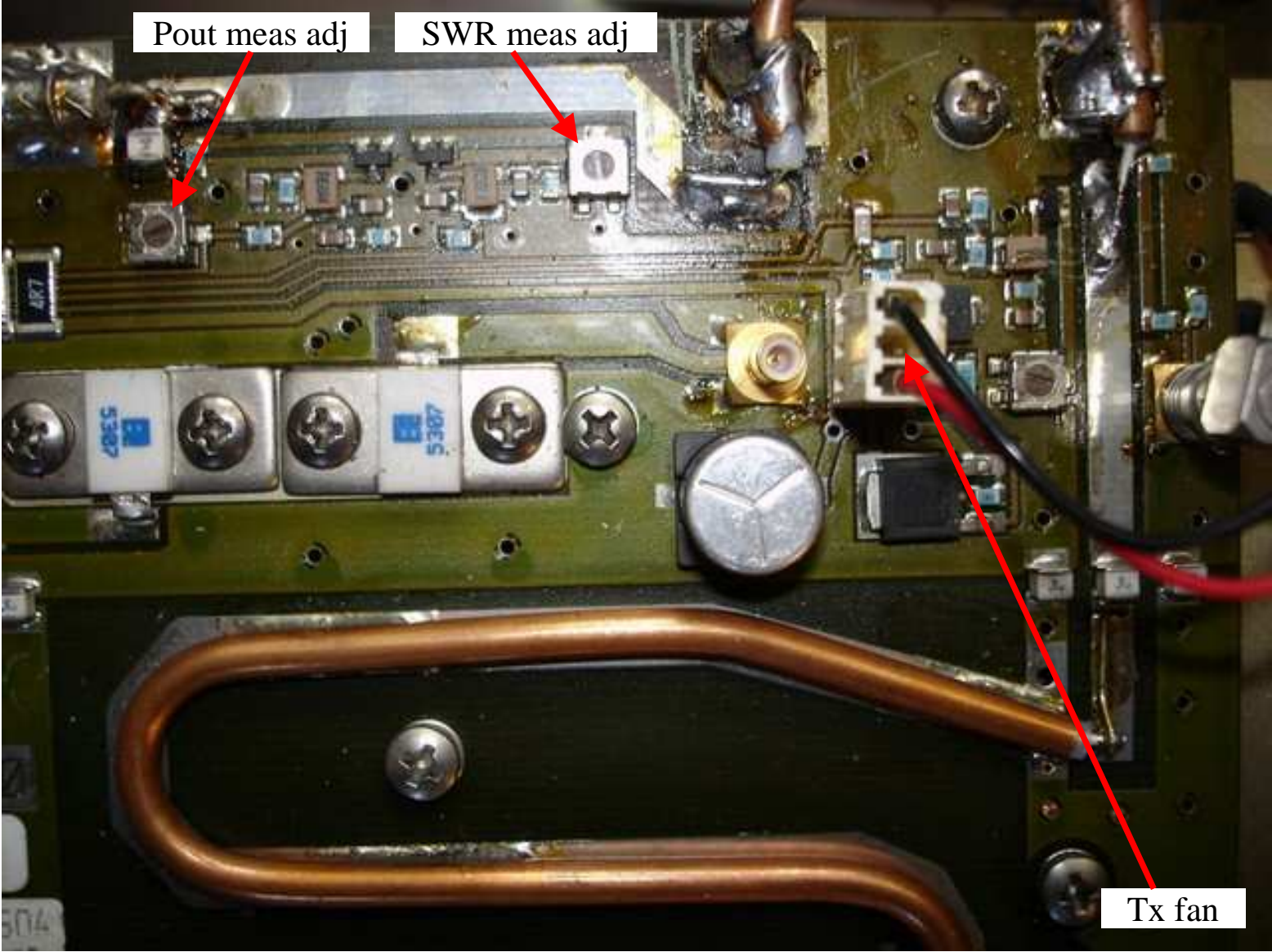


- Mods for linearisation
- Pout versus Pin curve

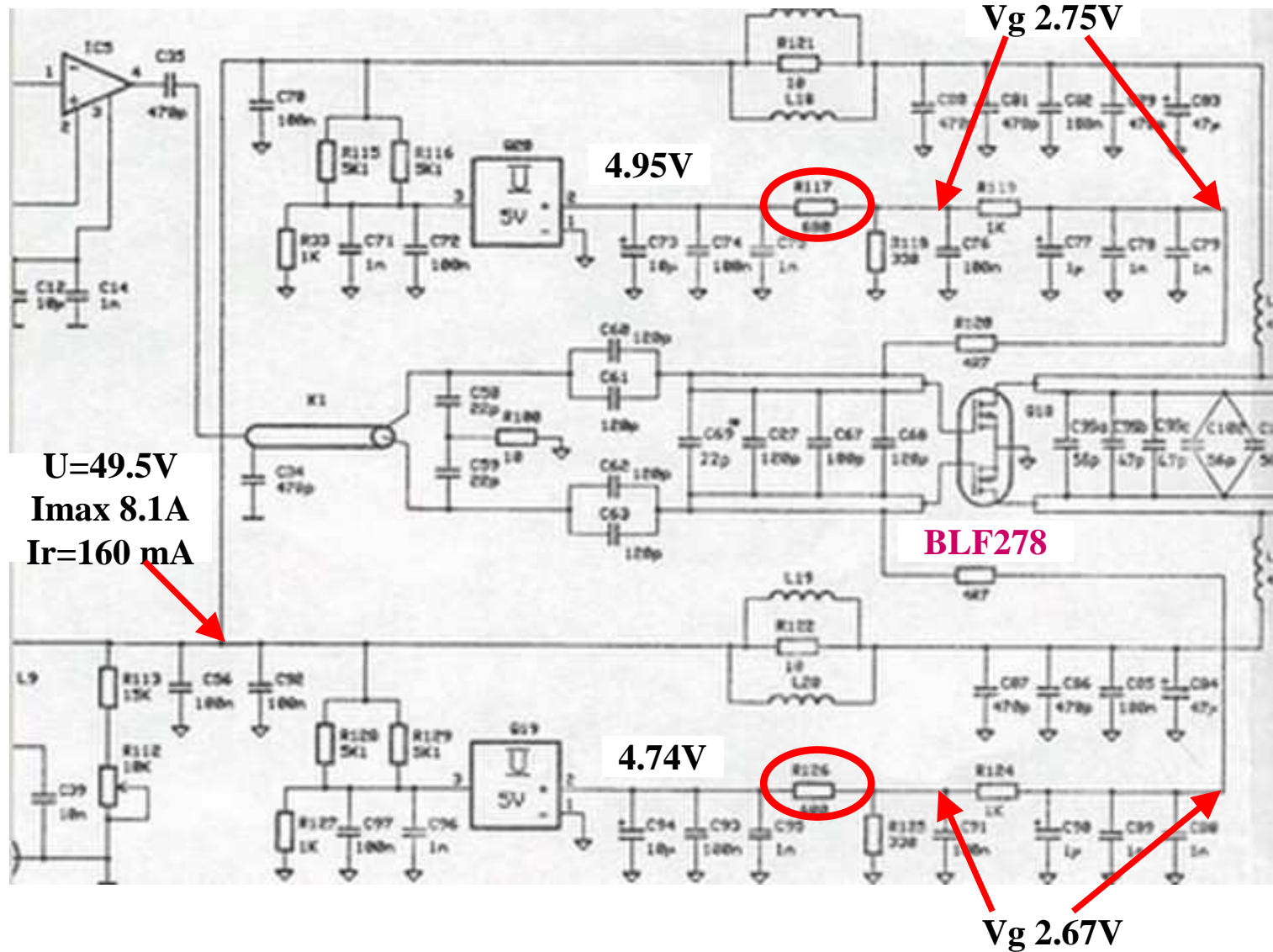
Ericsson Compact 9000 VHF amp: inside aspect



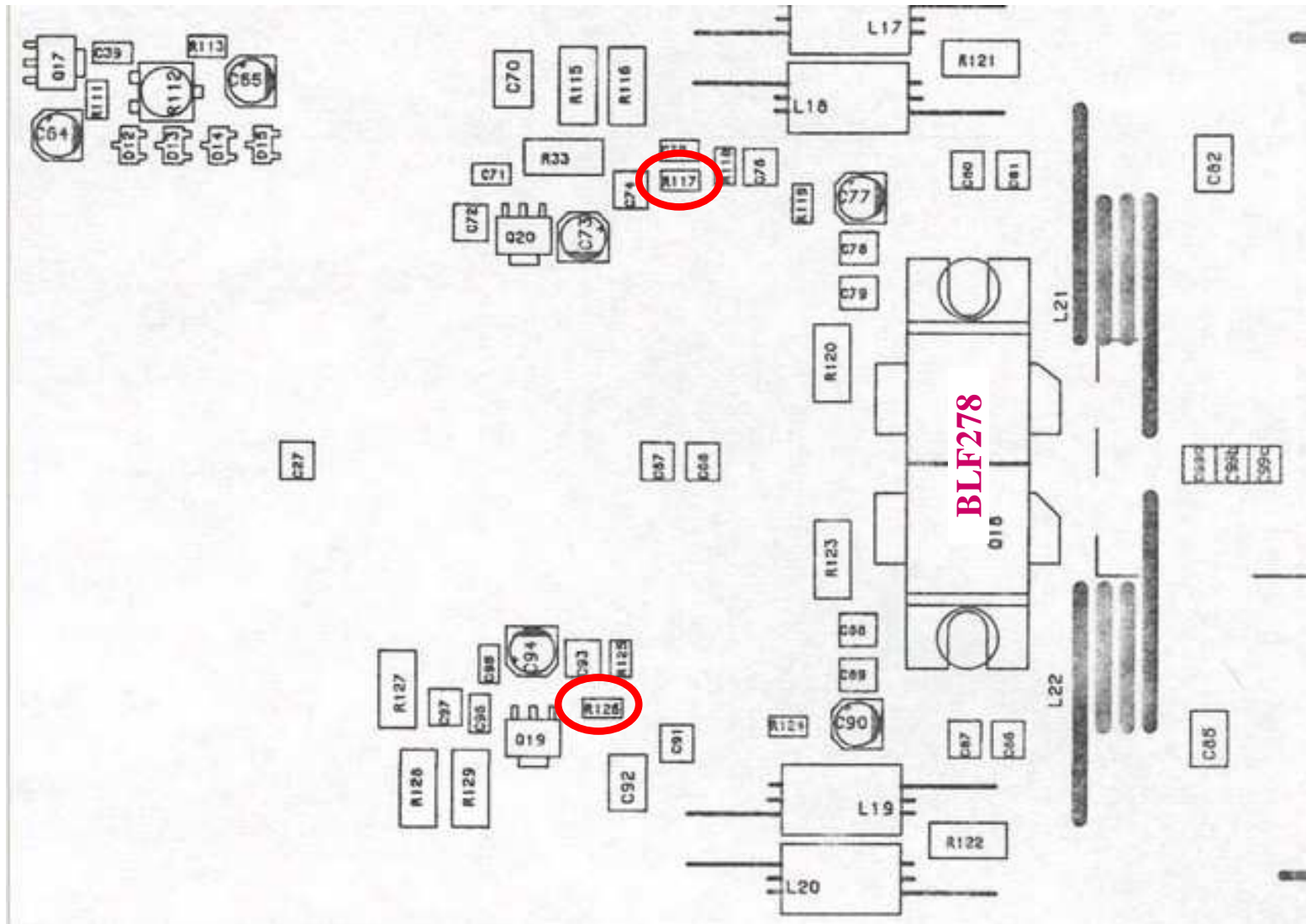
Ericsson Compact 9000 VHF amp: Pout / swr meas adjustments



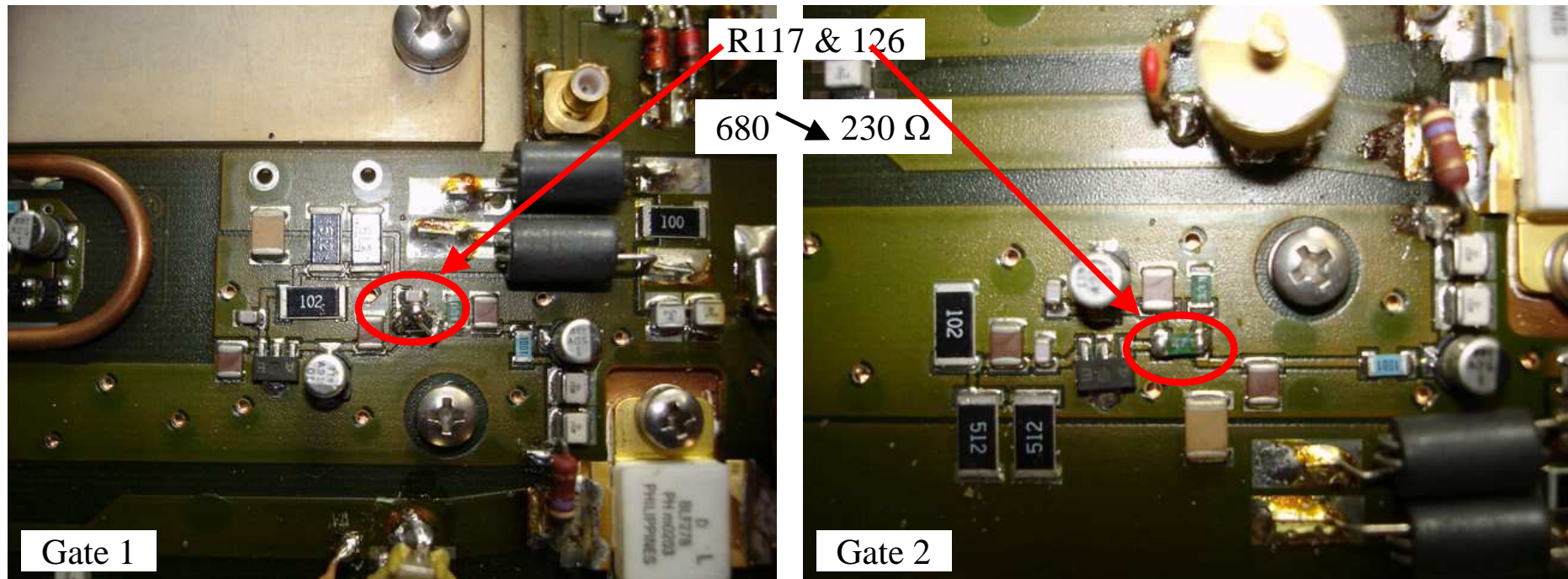
Ericsson Compact 9000 VHF amp: gates DC bias for lin condtns



Ericsson Compact 9000 VHF amp: gates DC bias



Ericsson Compact 9000 VHF amp: gates DC bias



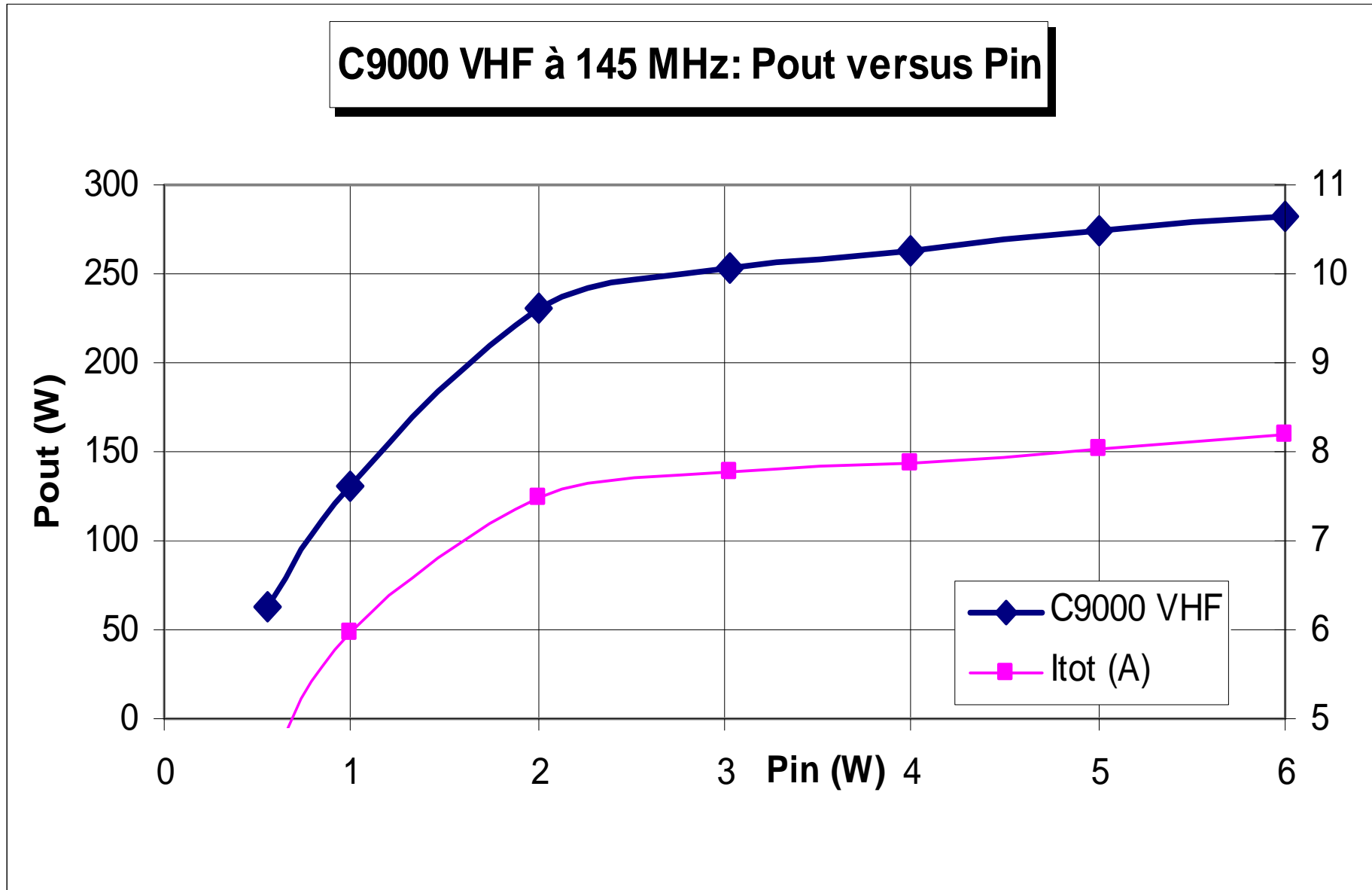
Ericsson Compact 9000 VHF amp: Pout versus Pin à 144 MHz

- Rig IC-7000
- Wattmeter Telewave model 44A
- Dummy load BIRD Termaline 8135
- Philips PE 2049 48V (*no other power supply needed*)

| Pin (W) | Pin (dBm) | Pout (W) | Pout (dBm) | IA/48 V |
|------------|--------------|-------------|---------------|------------|
| 0.5 | 27 | 55 | 47.4 | |
| 1 | 30 | 130 | 51.14 | |
| 2 | 33 | 230 | 53.62 | |
| 3 | 34.77 | 250 | 53.98 | |
| 4 | 36 | 260 | 54.15 | |
| 5 | 37 | 275 | 54.39 | |
| 6 | 37.8 | 282.5 | 54.51 | 8.1 |
| 7 | 38.45 | | | |

Ericsson Compact 9000 VHF amp

C9000 VHF à 145 MHz: Pout versus Pin



Ericsson Compact 9000 VHF amp

